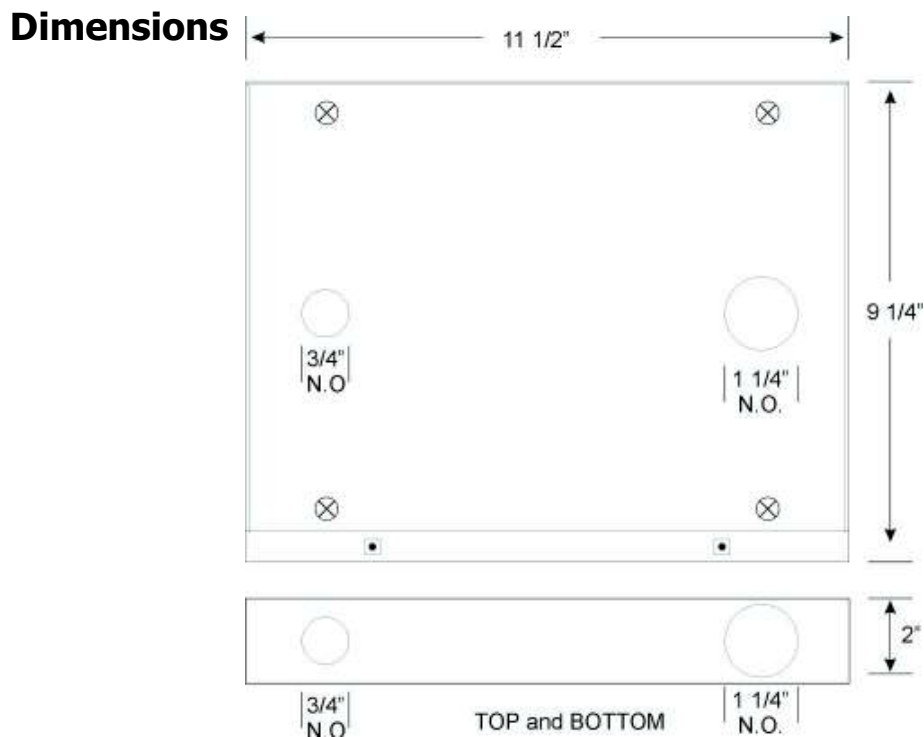


Submittals

SZM-4000 Master Controller

Specifications

Construction	18 gauge painted steel case. Cover is connected with thumb screws
Dimensions	Height 9 1/4" (235 mm) Width 11 1/2" (292 mm) Depth 2" (51 mm)
Power	24VAC/40VA transformer provided with controller
Max No. Zones	32
Temperature Range of operation	15°F to 170°F (-9°C to 70°C)
AHU Interface	Seven electrically isolated relays 1 x fan, 2 x cool, 2 x heat, 2 x heat/cool changeover valve (heat pumps)
Time clock	Capacitor backup

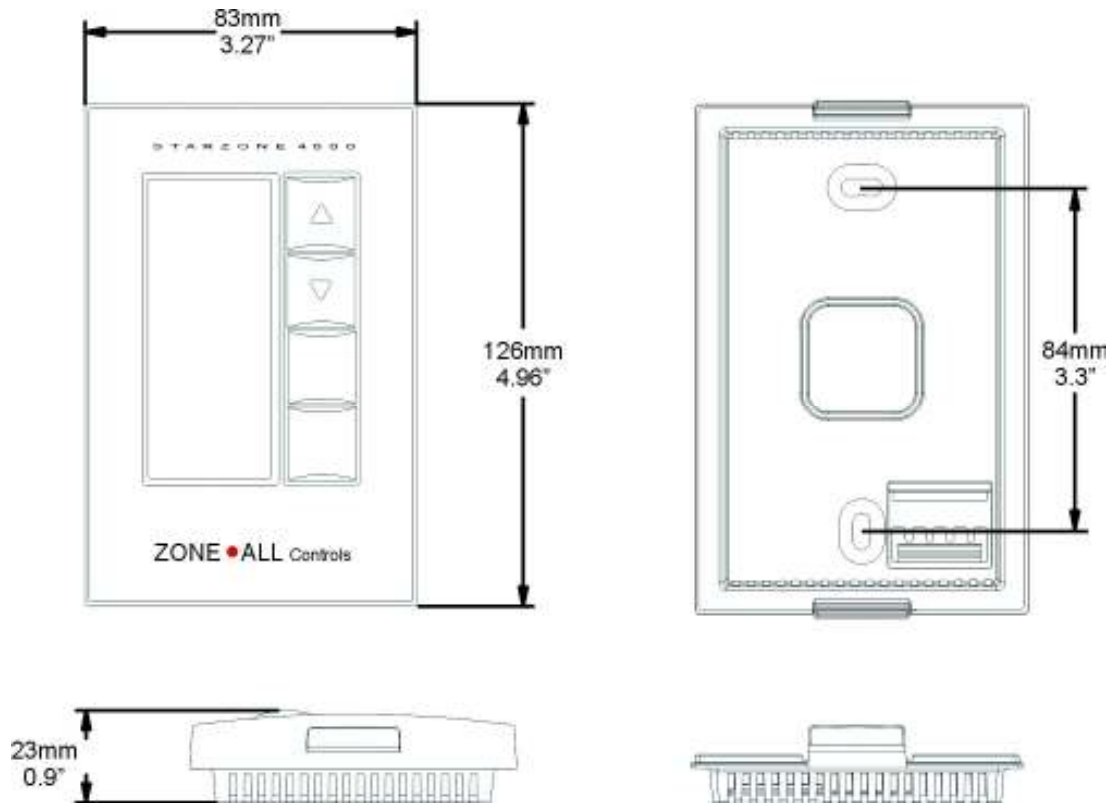


Model SZT-4000 Thermostat

Specifications

Construction	White injection molded plastic
Dimensions	Height 4.96" (126 mm) Width 3.27" (83 mm) Depth 0.9" (23 mm)
Power	12 VDC supplied from damper actuator
Dead band	2°F or 1°C
Set Point Range	66°F to 80°F (19°C to 27°C) or 68°F to 77°F (20°C to 25°C) default

Dimensions

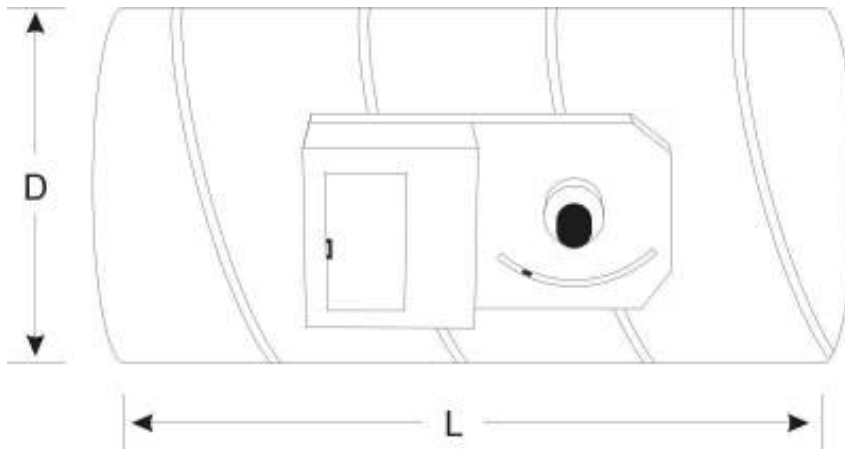


Model AVD Zone Dampers

Specifications

Construction	Coated steel, spiral pipe with riveted motor support plates meeting ASHRAE and SMACHNA standards. Spiral pipe 22 gauge steel
Bearings	Two brass bushings
Power	24 VAC
Actuator	3-wire floating powered open powered close

Dimensions



Capacities

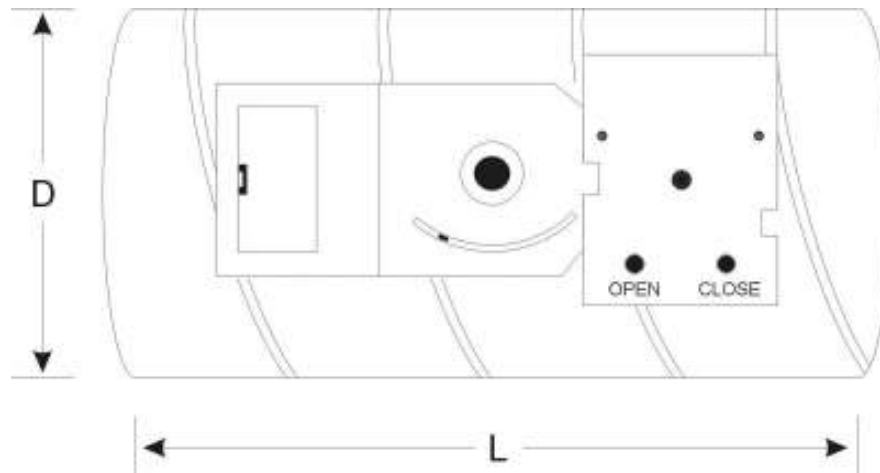
Diameter	Length	Recommended Range (CFM)
6"	12"	0-216
8"	12"	216-385
10"	12"	385-600
12"	18"	600-1180
14"	18"	1180-1604
16"	20"	1604-2095

Model RAD Bypass Dampers

Specifications

Construction	Coated steel, spiral pipe with riveted motor support plates meeting ASHRAE and SMACHNA standards. Spiral pipe 22 gauge steel
Bearings	Two brass bushings
Power	24 VAC
Actuator	3-wire floating powered open powered close
Static Pressure Sensor	Switch response ranges from 0.1"SP to 5"SP

Dimensions



Capacities

Diameter	Length	Recommended Range (CFM)
6"	12"	0–285
8"	12"	285–525
10"	12"	525–1090
12"	18"	1090–2000
14"	18"	2000–2670
16"	20"	2670–3490

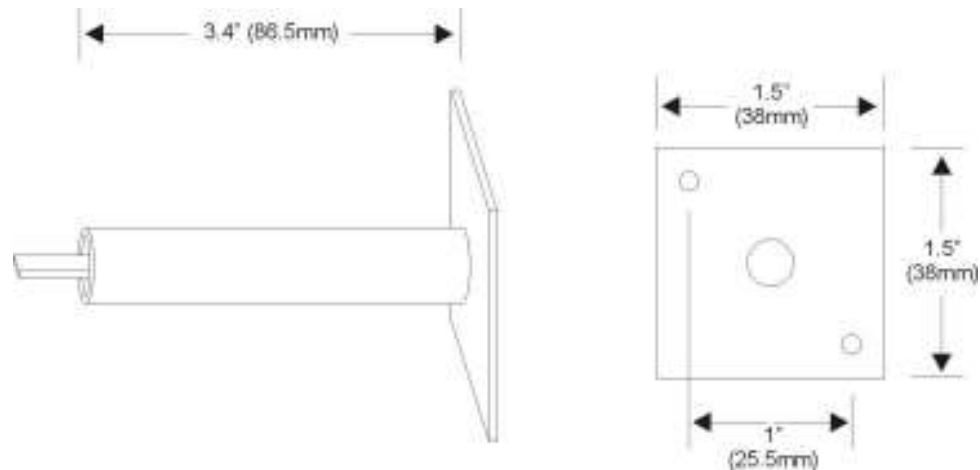
Supply Air and Outdoor Sensors

TSA Supply Air Sensor

Specifications

Construction	Anodized aluminum base, aluminum probe with 10K ohm thermistor sensor
Installation	Base and holes are compatible to mount inside a standard 2½" X 4" electrical box
Wiring	Sensor is provided with 6" of stranded 22 gauge wire which can be tied to any 2-wire, non-shielded cable. Do not combine TSA sensor with any other electrical device on cable

Dimensions

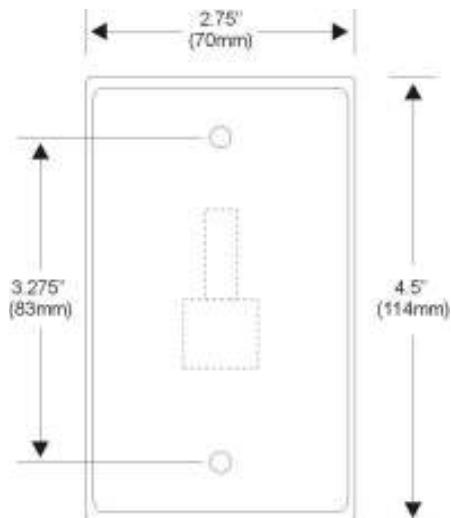


TOA Outdoor Air Sensor

Specifications

Construction	Stainless steel plate with 10K ohm thermistor sensor
Installation	Stainless steel plate is mounted as cover onto a standard 2½" X 4" electrical box (included).
Wiring	Sensor is provided with 6" of stranded 22 gauge wire which can be tied to any 2 wire non-shielded cable. Do not combine TOA sensor with any other electrical device on cable.

Dimensions

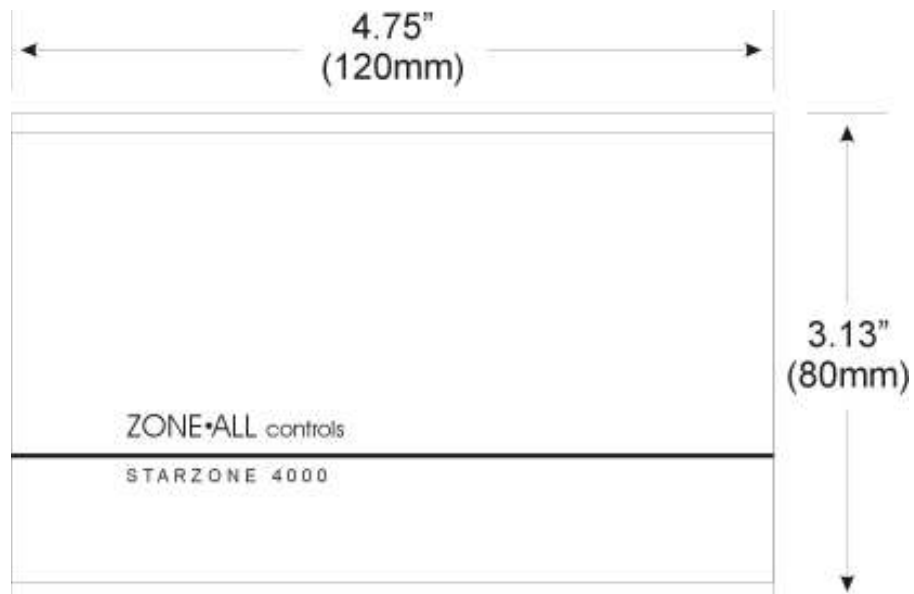


Starcom Hub

Specifications

Construction	Stainless steel plate with 10K ohm thermistor sensor
Power	12VDC – Power Adaptor included
LED Indicators	Transmit, Receive, Power
Starcom Building Software	Included compatible with Windows XP, Vista, and Seven 7
Communication	USB, RS232, RS485, and SCOM

Dimensions



6.8 Submittals