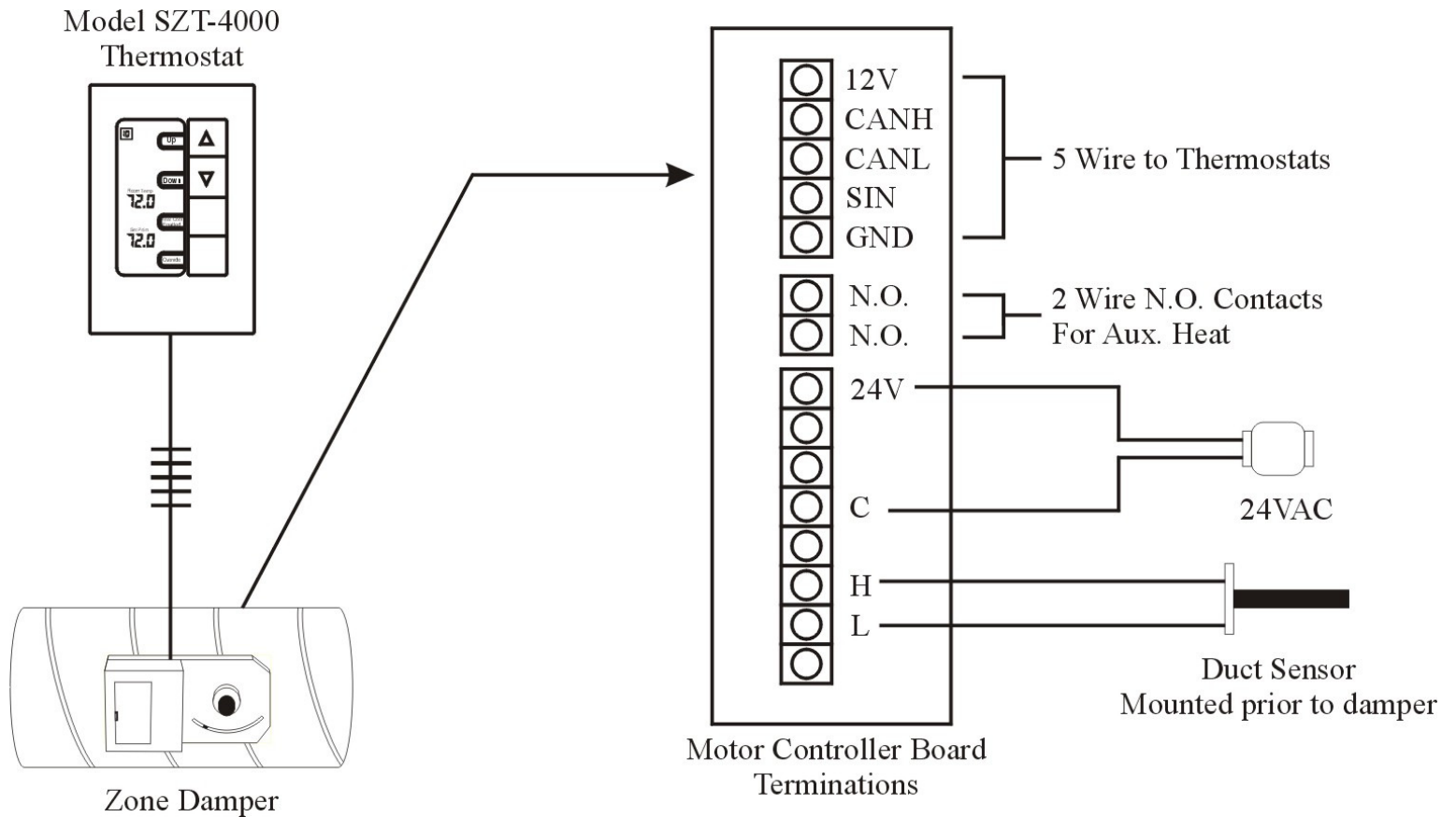


STA Wiring Diagram



The STA may come with or without the damper included. When the damper is included the Duct Sensor will already be installed and wired at the factory. Wiring consists of a 5 conductor cable between the thermostat and damper, a 2 conductor cable between the transformer and damper, and when necessary another 2 conductor cable between the damper and duct sensor.

Two normally (N.O.) contacts can be used to interface auxiliary heat components such as duct heaters and baseboards. When connecting auxiliary heat components ensure the contact ratings are less than one amp or provide an isolation relay.