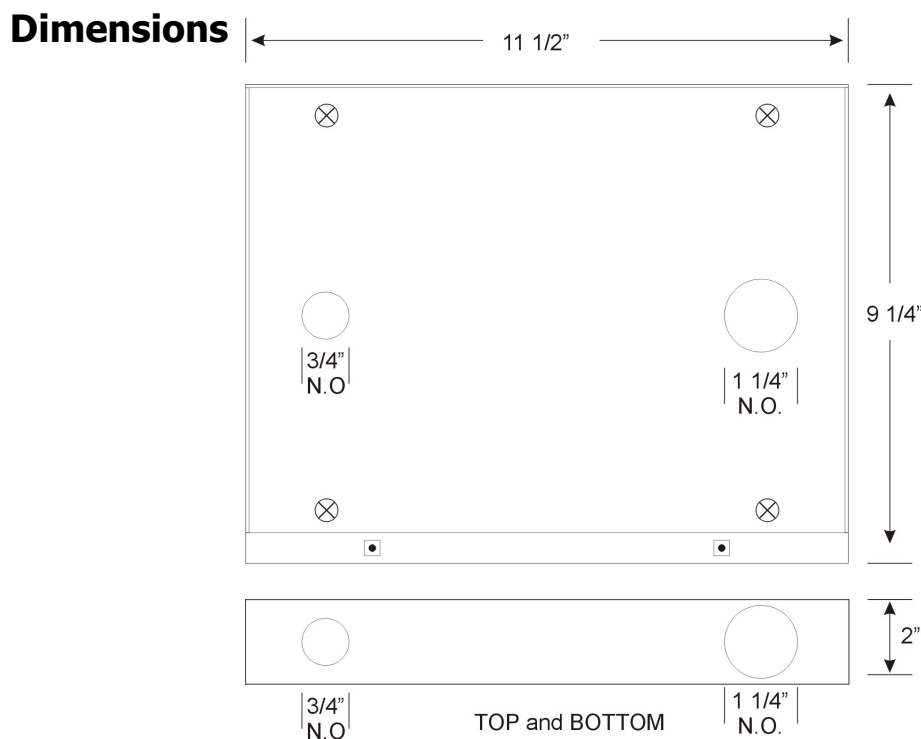


# Submittals

## SZM-4000 Master Controller

### Specifications

<b>Construction</b>	18 gauge painted steel case. Cover is connected with thumb screws
<b>Dimensions</b>	Height 9 1/4" (235 mm) Width 11 1/2" (292 mm) Depth 2" (51 mm)
<b>Power</b>	24VAC/40VA transformer provided with controller
<b>Max No. Zones</b>	32
<b>Temperature Range of operation</b>	15°F to 170°F (-9°C to 70°C)
<b>AHU Interface</b>	Seven electrically isolated relays 1 x fan, 2 x cool, 2 x heat, 2 x heat/cool changeover valve (heat pumps)
<b>Time clock</b>	Capacitor backup

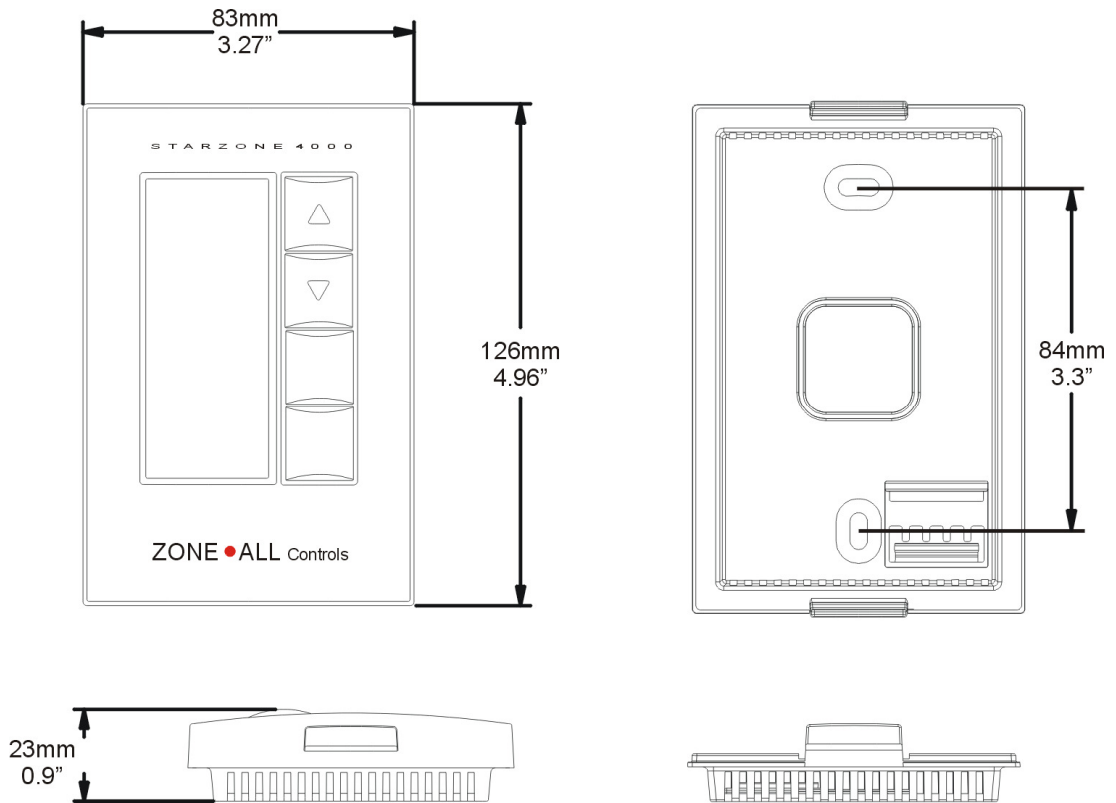


# Model SZT-4000 Thermostat

## Specifications

<b>Construction</b>	White injection molded plastic
<b>Dimensions</b>	Height 4.96" (126 mm) Width 3.27" (83 mm) Depth 0.9" (23 mm)
<b>Power</b>	12 VDC supplied from damper actuator
<b>Dead band</b>	2°F or 1°C
<b>Set Point Range</b>	66°F to 80°F (19°C to 27°C) or 68°F to 77°F (20°C to 25°C) default

## Dimensions

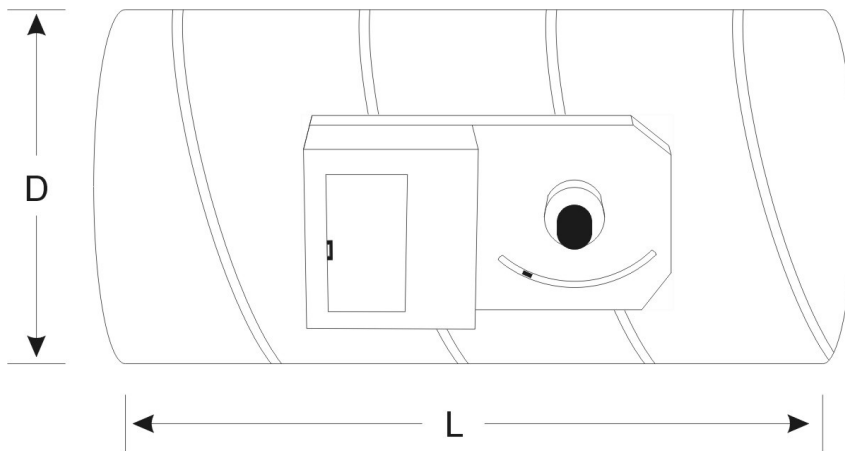


## Model AVD Zone Dampers

### Specifications

<b>Construction</b>	Coated steel, spiral pipe with riveted motor support plates meeting ASHRAE and SMACHNA standards. Spiral pipe 22 gauge steel
<b>Bearings</b>	Two brass bushings
<b>Power</b>	24 VAC
<b>Actuator</b>	3-wire floating powered open powered close

### Dimensions



### Capacities

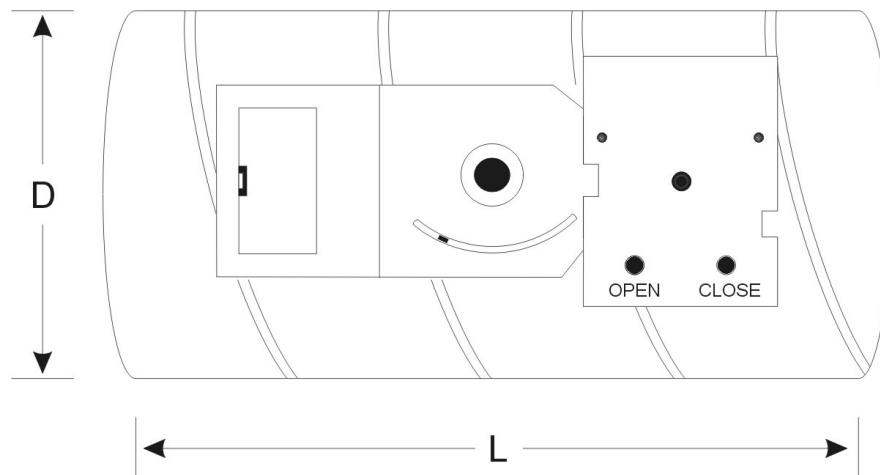
Diameter	Length	Recommended Range (CFM)
6"	12"	0-216
8"	12"	216-385
10"	12"	385-600
12"	18"	600-1180
14"	18"	1180-1604
16"	20"	1604-2095

## Model RAD Bypass Dampers

### Specifications

<b>Construction</b>	Coated steel, spiral pipe with riveted motor support plates meeting ASHRAE and SMACHNA standards. Spiral pipe 22 gauge steel
<b>Bearings</b>	Two brass bushings
<b>Power</b>	24 VAC
<b>Actuator</b>	3-wire floating powered open powered close
<b>Static Pressure Sensor</b>	Switch response ranges from 0.1"SP to 5"SP

### Dimensions



### Capacities

Diameter	Length	Recommended Range (CFM)
6"	12"	0–285
8"	12"	285–525
10"	12"	525–1090
12"	18"	1090–2000
14"	18"	2000–2670
16"	20"	2670–3490

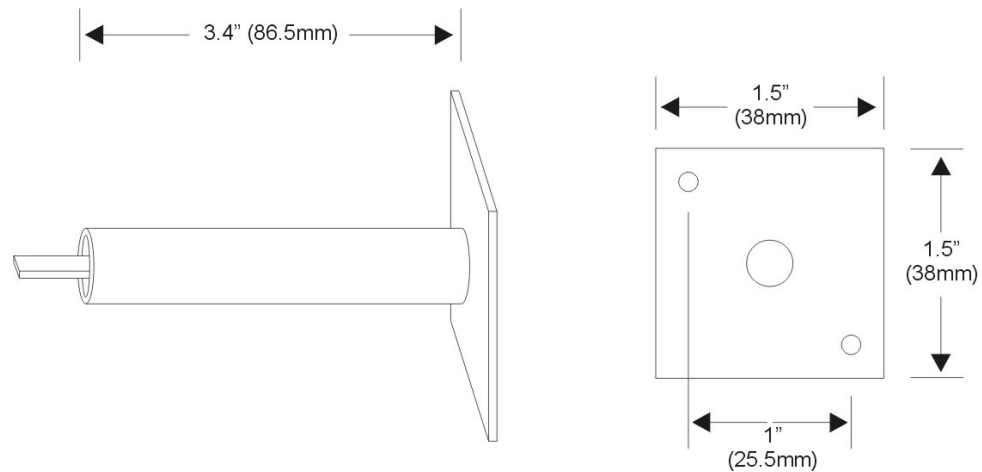
## Supply Air and Outdoor Sensors

### TSA Supply Air Sensor

#### Specifications

<b>Construction</b>	Anodized aluminum base, aluminum probe with 10K ohm thermistor sensor
<b>Installation</b>	Base and holes are compatible to mount inside a standard 2½" X 4" electrical box
<b>Wiring</b>	Sensor is provided with 6" of stranded 22 gauge wire which can be tied to any 2-wire, non-shielded cable. Do not combine TSA sensor with any other electrical device on cable

#### Dimensions

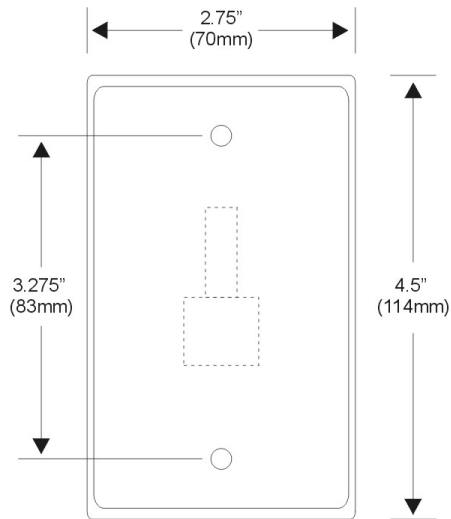


## TOA Outdoor Air Sensor

### Specifications

<b>Construction</b>	Stainless steel plate with 10K ohm thermistor sensor
<b>Installation</b>	Stainless steel plate is mounted as cover onto a standard 2½" X 4" electrical box (included).
<b>Wiring</b>	Sensor is provided with 6" of stranded 22 gauge wire which can be tied to any 2 wire non-shielded cable. Do not combine TOA sensor with any other electrical device on cable.

### Dimensions

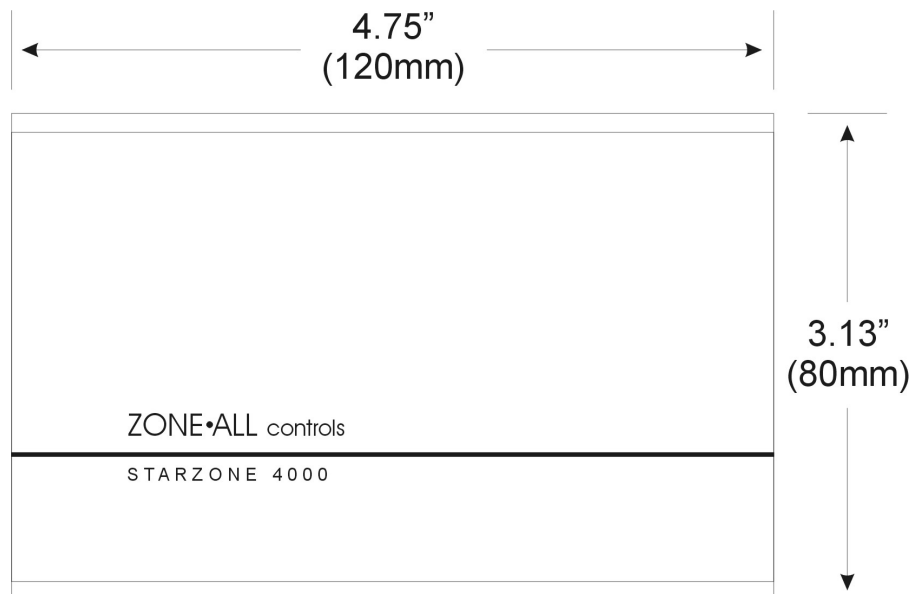


# Starcom Hub

## Specifications

<b>Construction</b>	Extruded plastic base c/w painted steel cover plate
<b>Power</b>	12VDC – Power Adaptor included
<b>LED Indicators</b>	Transmit, Receive, Power
<b>Starcom Building Software</b>	Included compatible with Windows XP, Vista, Seven, and Eight
<b>Communication</b>	USB, RS485, and SCOM

## Dimensions



## **6.8 Submittals**